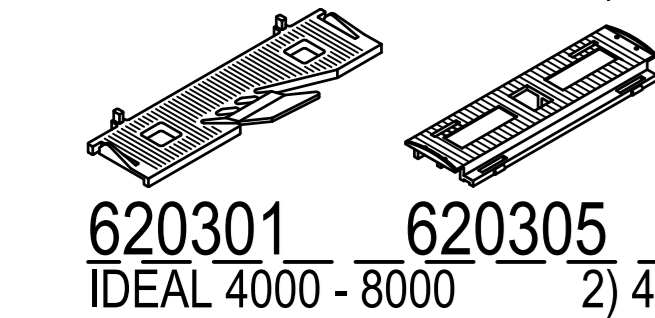
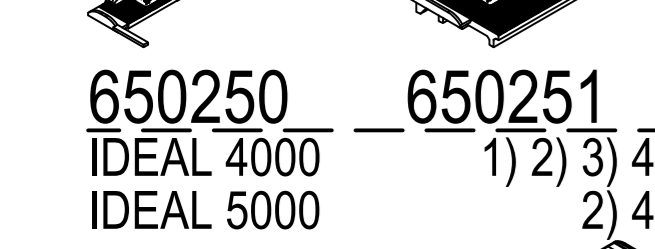


IDEAL 2000 / 4000 / 4000 NL / 5000 / 7000 / 8000

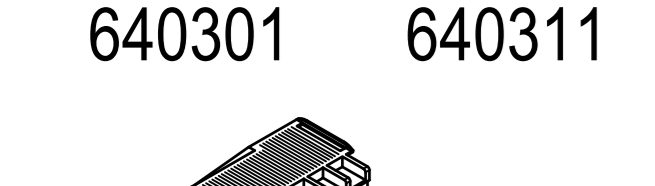
A) podkładka do szklenia IDEAL 2000 IDEAL 7000 / 8000



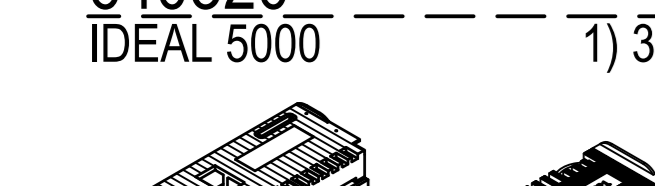
620301 IDEAL 4000 - 8000 620305 IDEAL 4000 - 8000



650250 IDEAL 4000 IDEAL 5000 650251 IDEAL 4000 / 5000



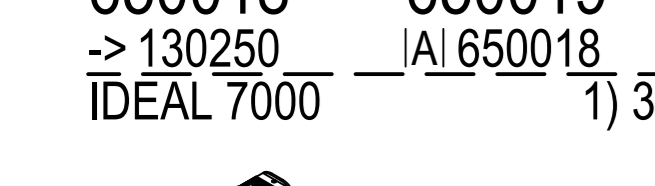
640301 IDEAL 4000 / 5000 640311 IDEAL 4000 / 5000



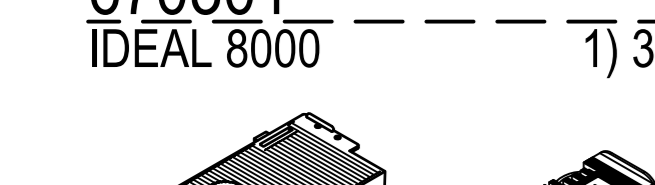
640320 IDEAL 5000



650016 IDEAL 5000 / 8000 650321 IDEAL 5000 / 8000



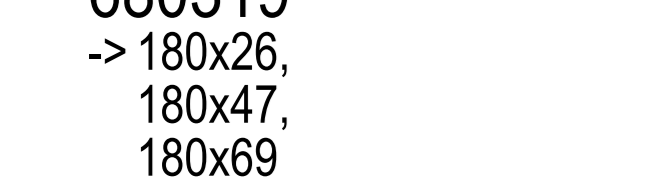
650018 IDEAL 7000 650019 IDEAL 7000



670301 IDEAL 8000



680016 IDEAL 7000 / 8000 680321 IDEAL 7000 / 8000



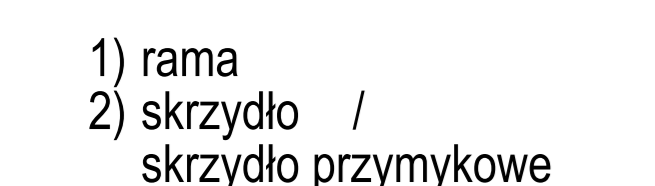
680319 IDEAL 7000 / 8000



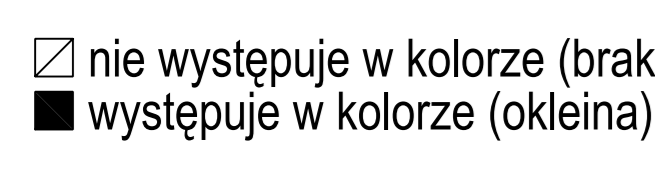
680319 IDEAL 7000 / 8000



680319 IDEAL 7000 / 8000



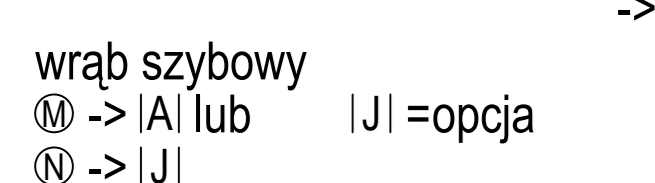
680319 IDEAL 7000 / 8000



680319 IDEAL 7000 / 8000

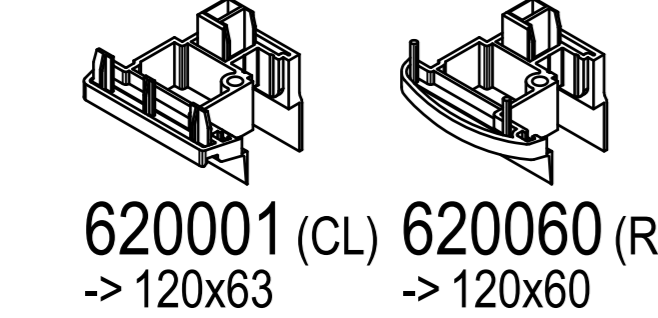


680319 IDEAL 7000 / 8000

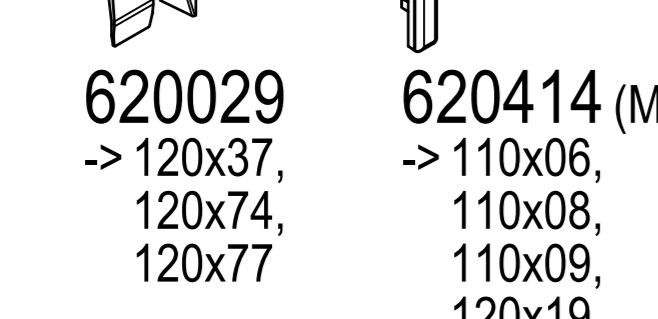


680319 IDEAL 7000 / 8000

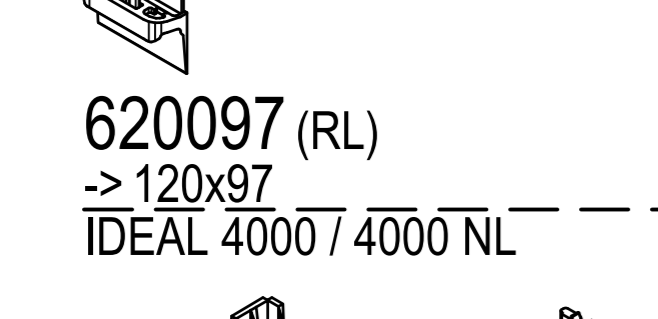
C) zaślepka IDEAL 2000



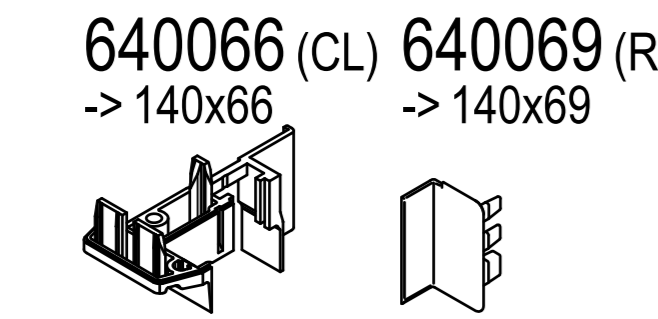
620001 (CL) IDEAL 2000 620060 (RL) IDEAL 2000



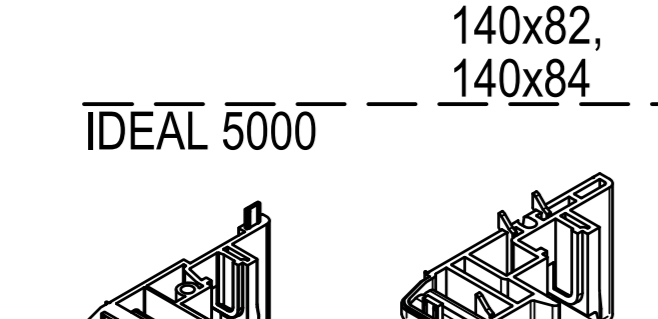
620029 IDEAL 2000 620414 (MB) IDEAL 2000 620415 (MB) IDEAL 2000



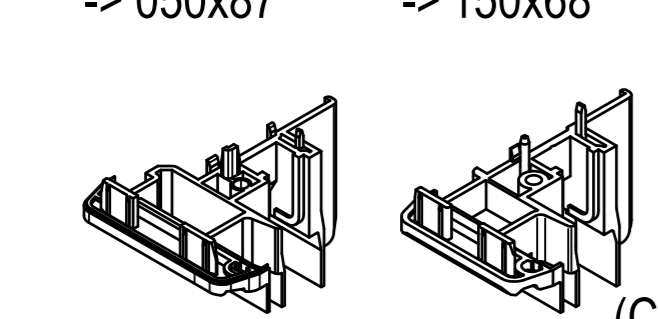
620097 (RL) IDEAL 2000 620099 IDEAL 2000



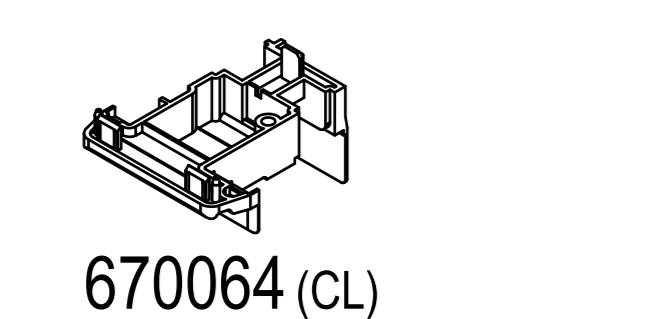
640066 (CL) IDEAL 2000 640069 (RL) IDEAL 2000 640067 (SL) IDEAL 2000



640065 (CL) IDEAL 2000 640082 IDEAL 2000



650087 (CL) IDEAL 2000 650029 (CL) IDEAL 2000 650067 (CL) IDEAL 2000



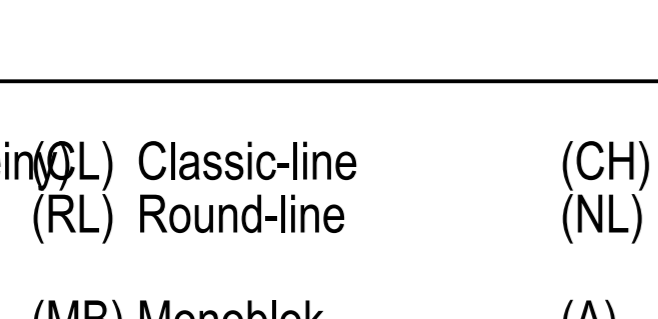
650065 (CL) IDEAL 2000 650066 (CH) IDEAL 2000 650090 (CL) IDEAL 2000



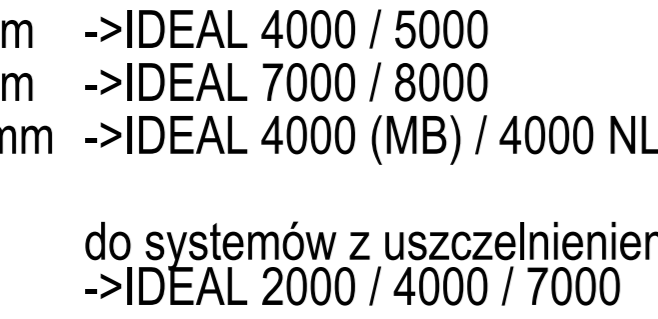
670064 (CL) IDEAL 8000 680029 (CL) IDEAL 2000



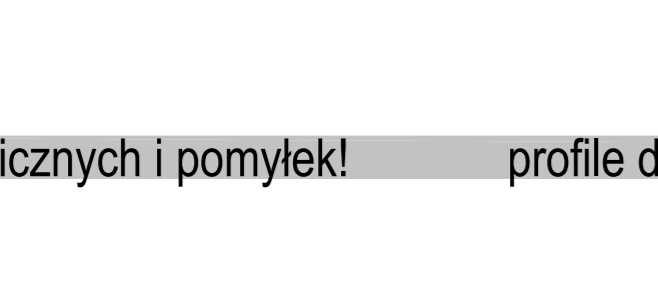
680066 (CL) IDEAL 2000 680064 (CL) IDEAL 2000



649131 P IDEAL 2000 649101 P IDEAL 2000 647132 IDEAL 2000

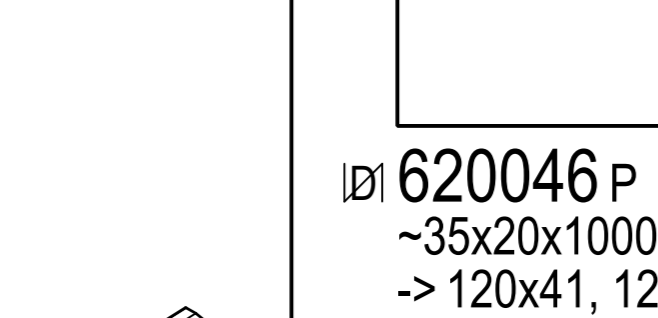


647241 IDEAL 2000 647101 IDEAL 2000 647102 IDEAL 2000

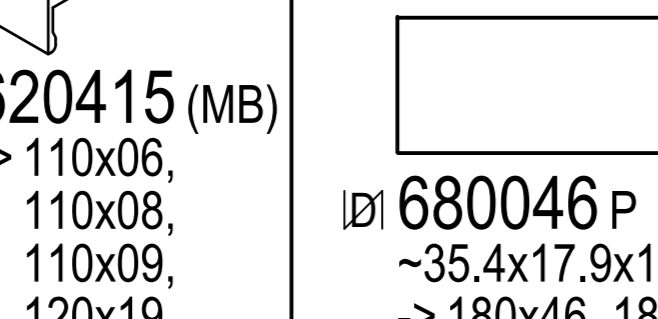


649131 P IDEAL 2000 649101 P IDEAL 2000 647132 IDEAL 2000

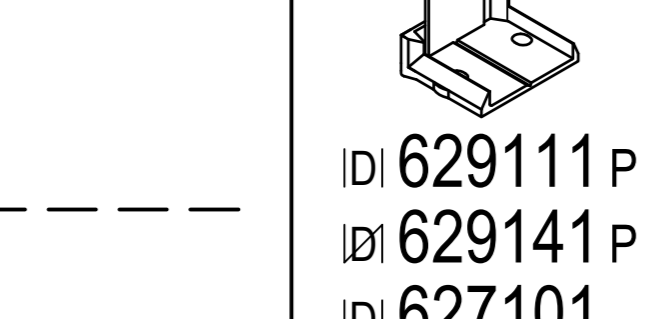
D) łącznik IDEAL 2000



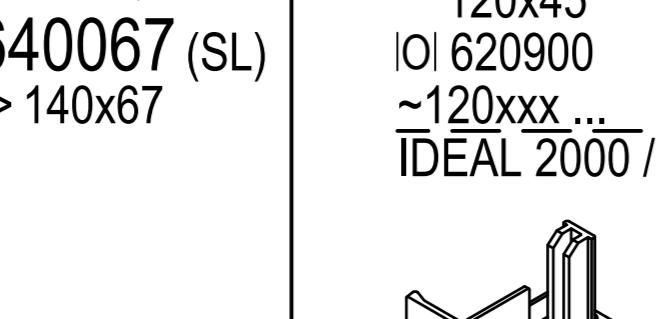
620046 P IDEAL 2000 640046 P IDEAL 2000



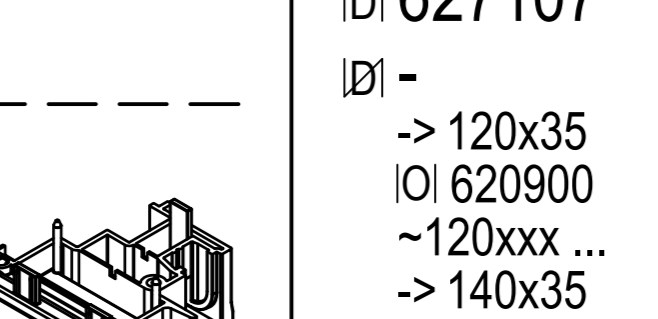
680046 P IDEAL 2000 629111 P IDEAL 2000



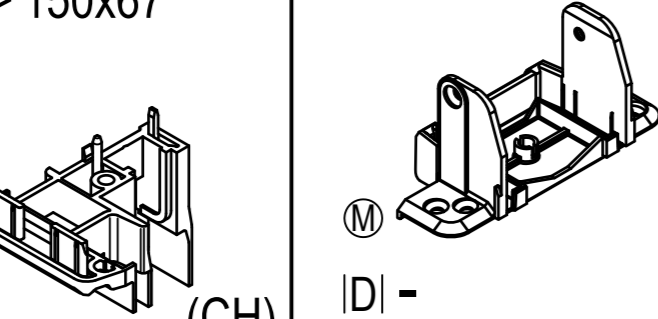
627101 IDEAL 2000 627102 IDEAL 2000 620116 IDEAL 2000



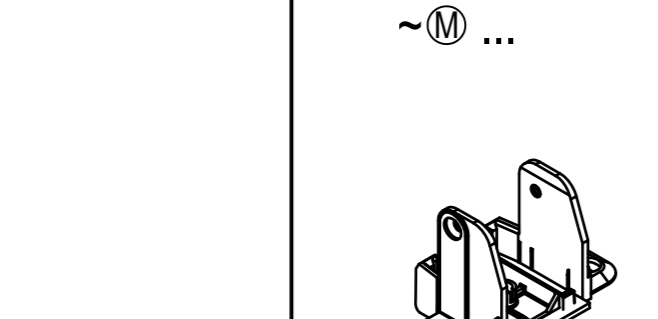
627131 IDEAL 2000 627132 IDEAL 2000 620116 IDEAL 2000



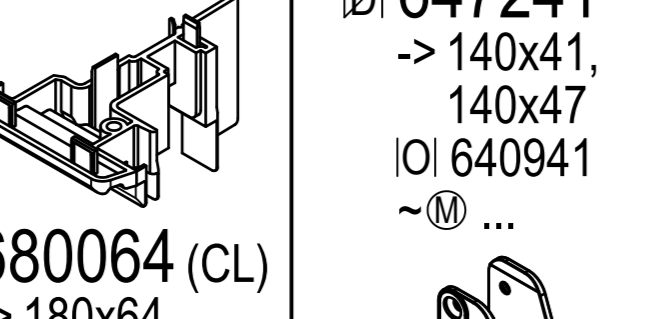
647245 IDEAL 2000 647246 IDEAL 2000



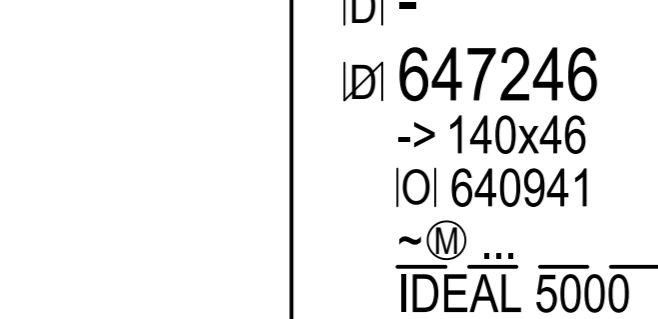
677133 IDEAL 2000 677103 IDEAL 2000



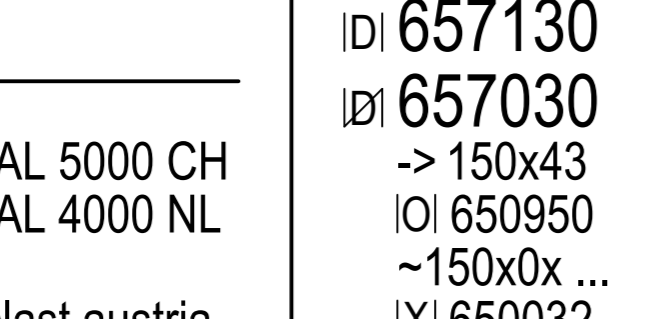
649131 P IDEAL 2000 649101 P IDEAL 2000 647132 IDEAL 2000



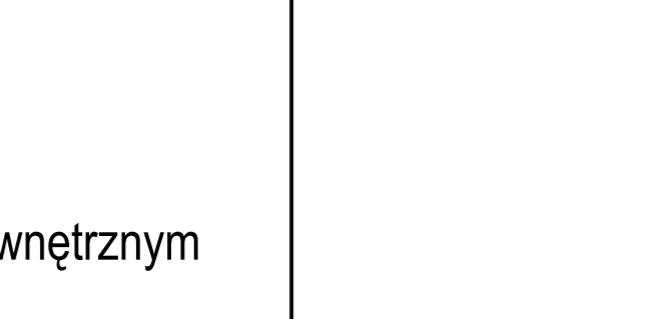
647241 IDEAL 2000 647101 IDEAL 2000 647102 IDEAL 2000



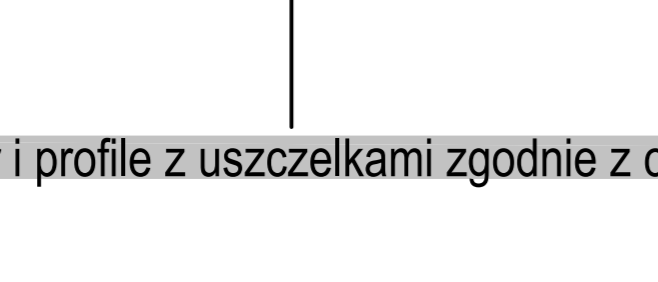
649131 P IDEAL 2000 649101 P IDEAL 2000 647132 IDEAL 2000



647241 IDEAL 2000 647101 IDEAL 2000 647102 IDEAL 2000

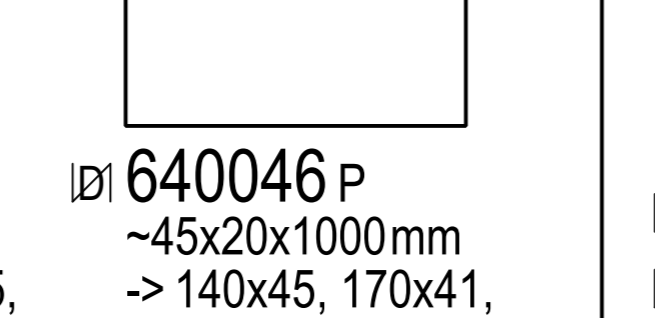


649131 P IDEAL 2000 649101 P IDEAL 2000 647132 IDEAL 2000



647241 IDEAL 2000 647101 IDEAL 2000 647102 IDEAL 2000

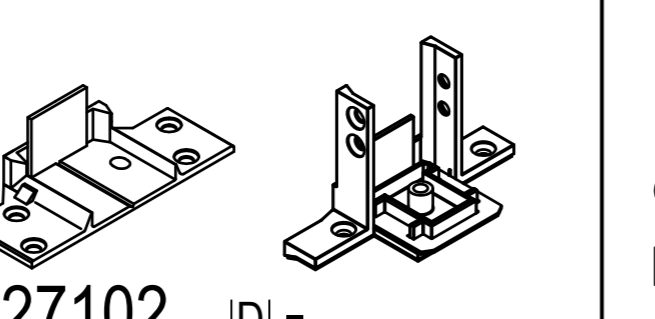
E) łącznik bez kołnierzy IDEAL 7000



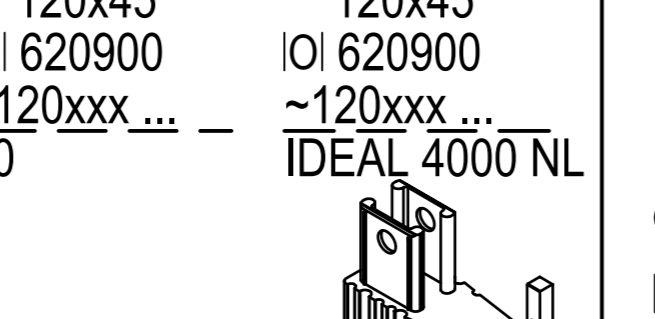
677144 IDEAL 7000 677142 IDEAL 7000



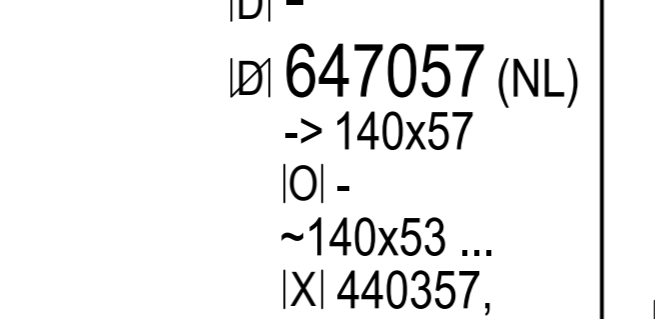
677244 IDEAL 7000 677146 IDEAL 7000



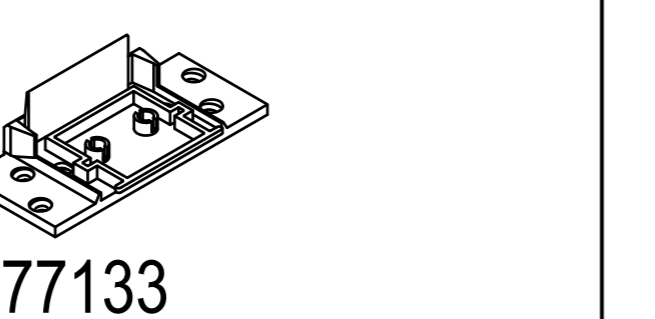
677241 IDEAL 7000 677242 IDEAL 7000



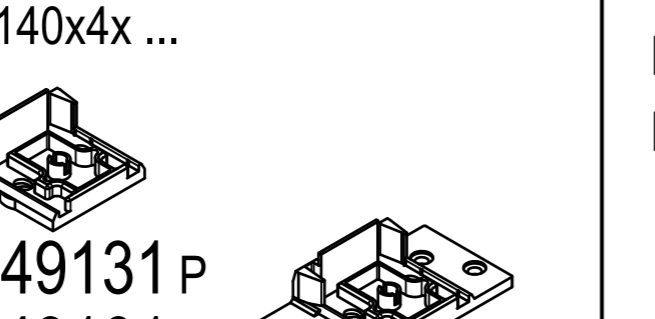
687246 IDEAL 8000 687131 IDEAL 8000



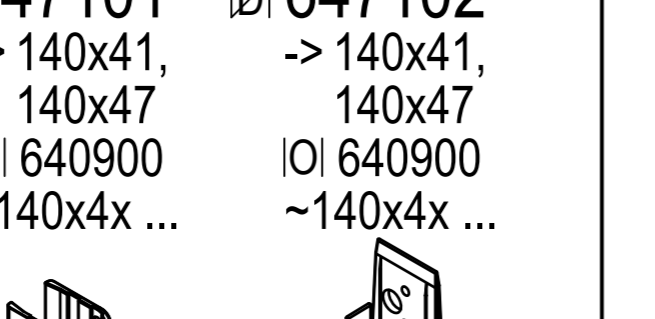
687102 IDEAL 8000 689147 P IDEAL 8000



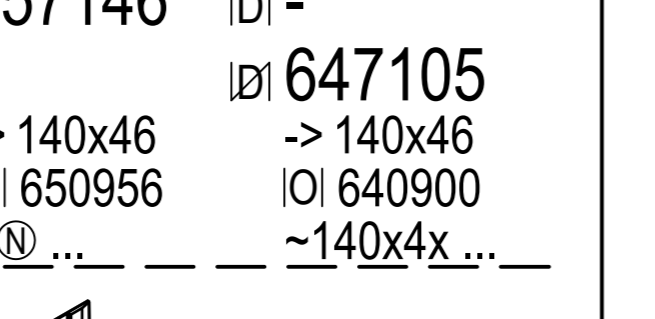
689149 P IDEAL 8000 649131 P IDEAL 2000



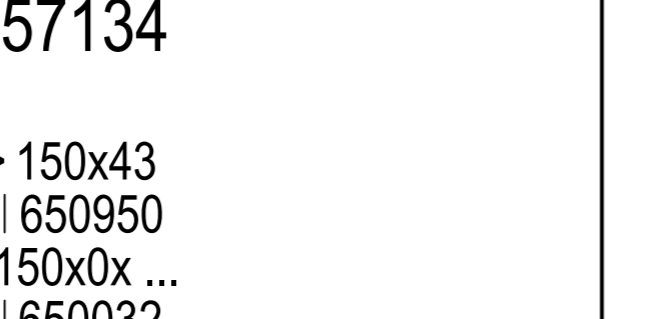
649101 P IDEAL 2000 647132 IDEAL 2000



647101 IDEAL 2000 647102 IDEAL 2000



649131 P IDEAL 2000 649101 P IDEAL 2000 647132 IDEAL 2000



647241 IDEAL 2000 647101 IDEAL 2000 647102 IDEAL 2000

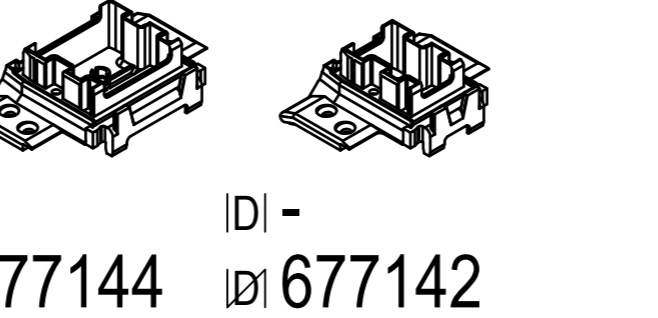


649131 P IDEAL 2000 649101 P IDEAL 2000 647132 IDEAL 2000

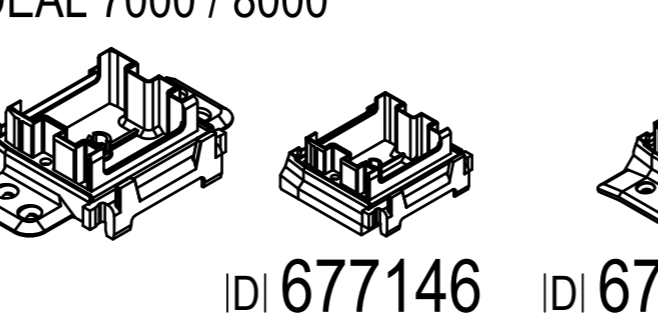


647241 IDEAL 2000 647101 IDEAL 2000 647102 IDEAL 2000

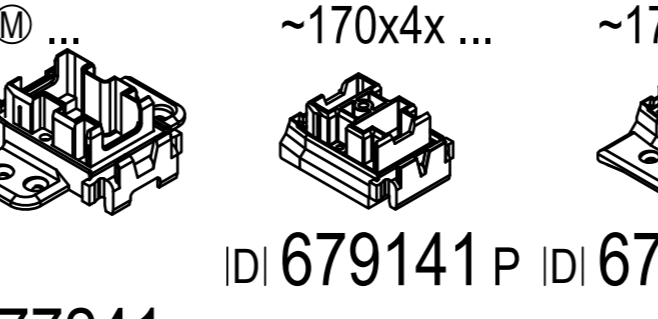
F) łącznik naroży IDEAL 2000 / 4000



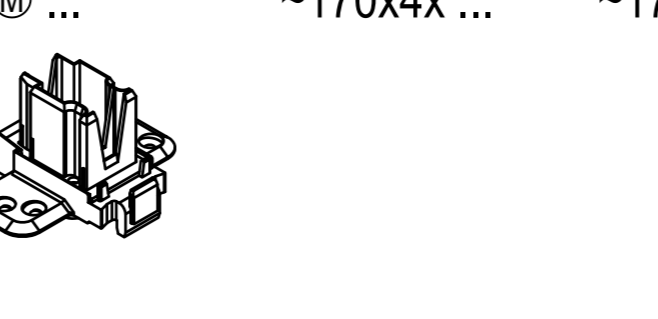
620125 IDEAL 4000 620126 IDEAL 4000



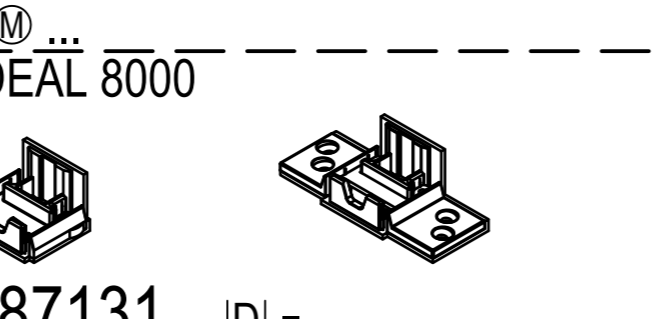
640032 IDEAL 4000 - 8000 640038 IDEAL 4000 - 8000



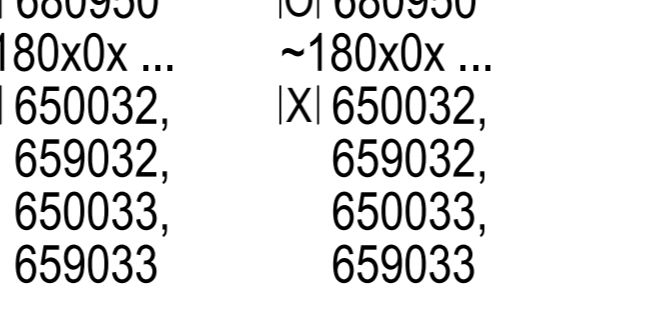
640031 IDEAL 4000 - 8000 640033 IDEAL 4000 - 8000



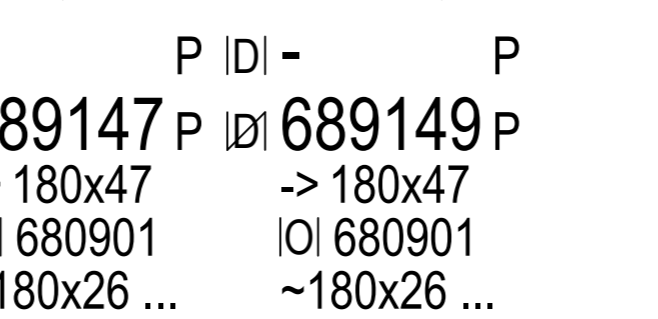
620440 IDEAL 2000 620441 IDEAL 2000



620441 IDEAL 4000 - 8000 624015 IDEAL 4000 - 8000



640015 IDEAL 4000 - 8000 640012 IDEAL 4000 - 8000



642262 cza IDEAL 4000 - 8000 642261 cza IDEAL 4000 - 8000 642263 cza IDEAL 4000 - 8000



642230 cza IDEAL 4000 - 8000 642233 cza IDEAL 4000 - 8000 642232 cza IDEAL 4000 - 8000



652080 cza IDEAL 4000 - 8000 652081 cza IDEAL 4000 - 8000 652082 cza IDEAL 4000 - 8000



640033 cze IDEAL 4000 - 8000 640034 zó IDEAL 4000 - 8000 640035 zie IDEAL 4000 - 8000



640012 bi IDEAL 4000 - 8000 640013 cze IDEAL 4000 - 8000 640113 cze IDEAL 4000 - 8000



640015 bi IDEAL 4000 - 8000 640019 zó IDEAL 4000 - 8000 640113 cze IDEAL 4000 - 8000

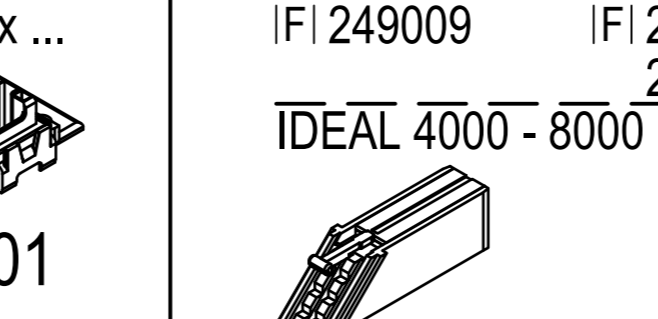
G) elementy pomocnicze IDEAL 2000



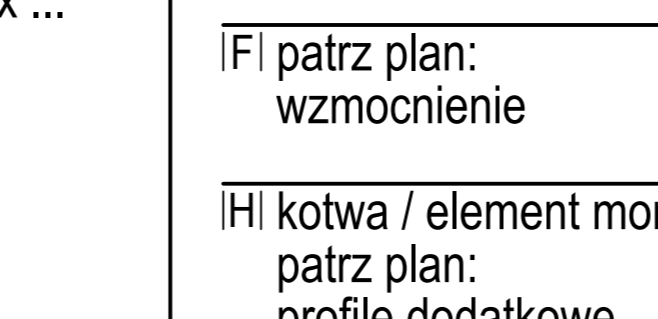
640900 IDEAL 2000 640901 IDEAL 2000 650956 IDEAL 2000



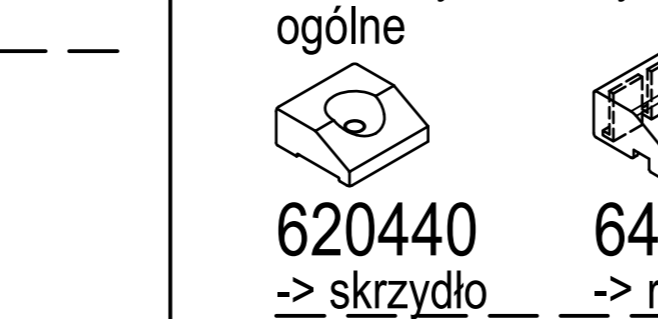
650950 IDEAL 2000 640941 IDEAL 2000



670950 IDEAL 2000 680950 IDEAL 2000



680950 IDEAL 2000 680901 IDEAL 2000



620440 IDEAL 2000 620441 IDEAL 2000



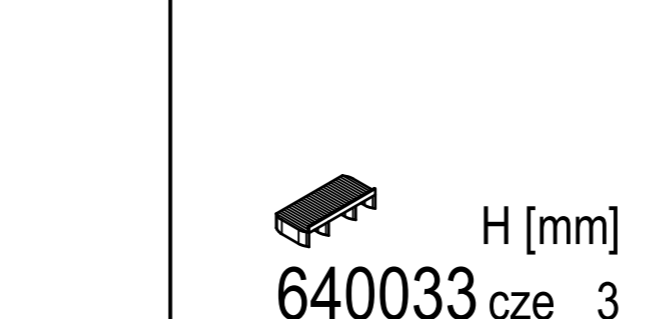
620441 IDEAL 4000 - 8000 624015 IDEAL 4000 - 8000



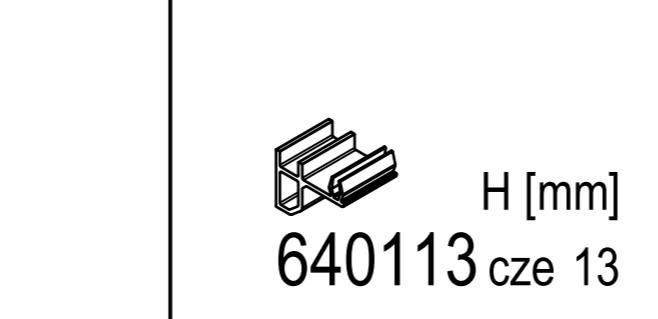
640015 IDEAL 4000 - 8000 640012 IDEAL 4000 - 8000



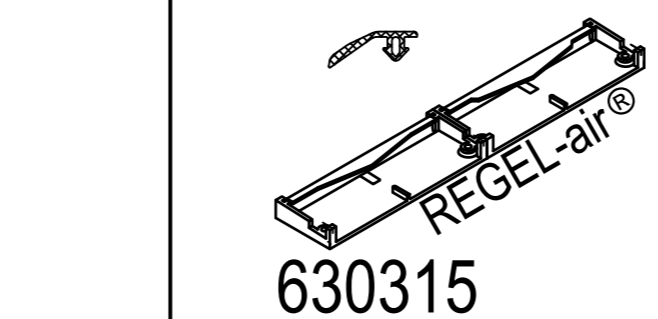
429330 cza IDEAL 2000 429338 cza IDEAL 2000 420330 bi IDEAL 2000



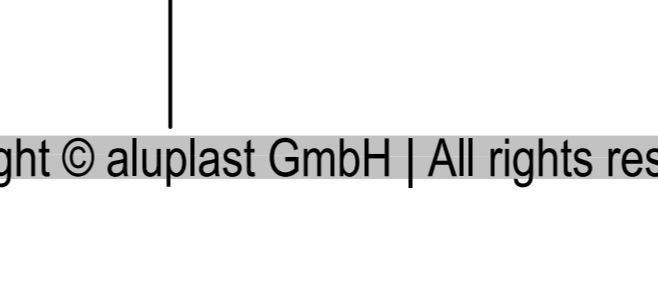
429921 cza IDEAL 4000 - 8000 429340 cza IDEAL 4000 - 8000 429320 cza IDEAL 4000 - 8000



479015 cza IDEAL 4000 - 8000 449980 cza IDEAL 4000 - 8000 449340 cza IDEAL 4000 - 8000

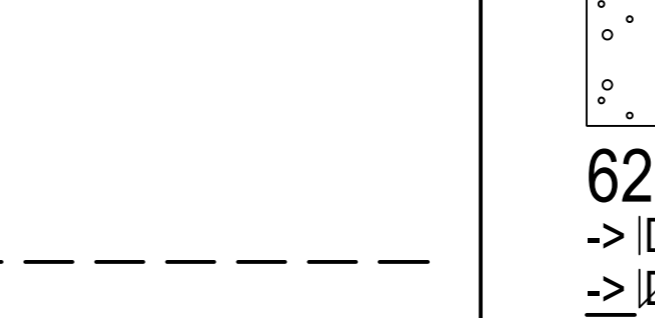


477015 cza IDEAL 4000 - 8000 447980 cza IDEAL 4000 - 8000 447340 cza IDEAL 4000 - 8000

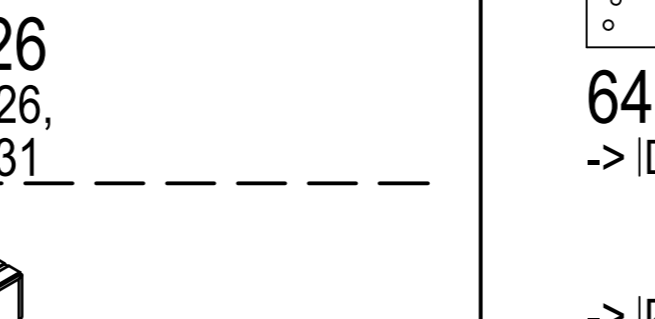


449343 cza IDEAL 5000 / 8000 447343 cza IDEAL 5000 / 8000 650032 bi IDEAL 4000 NL

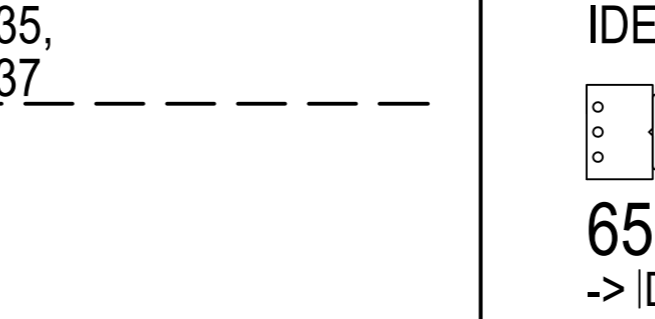
H) kotwa / element montażowy IDEAL 2000 / 4000



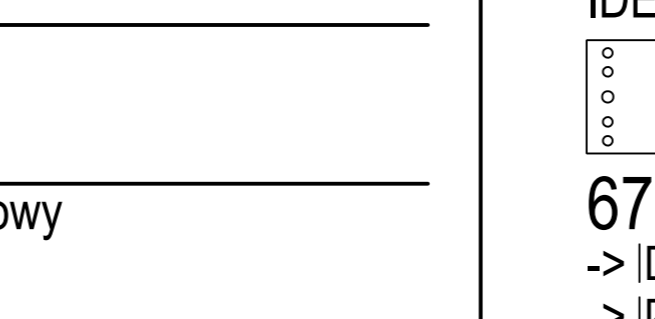
620125 IDEAL 4000 620126 IDEAL 4000



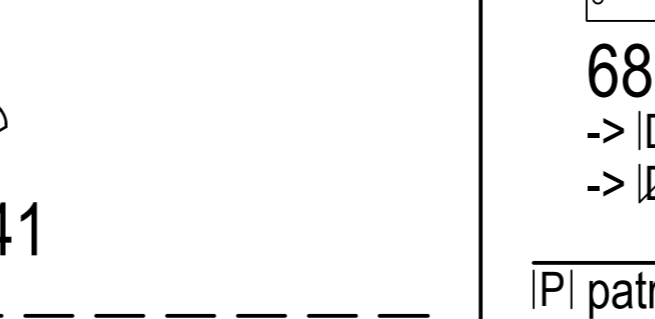
640032 IDEAL 4000 - 8000 640038 IDEAL 4000 - 8000



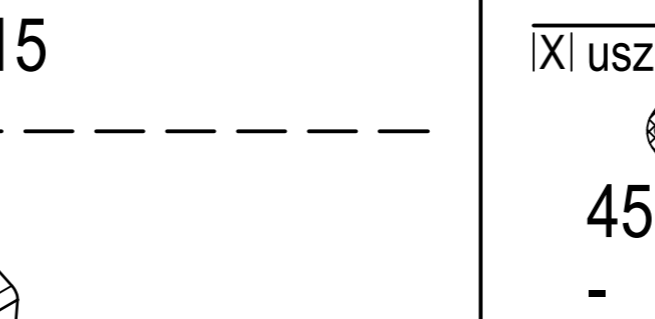
640031 IDEAL 4000 - 8000 640033 IDEAL 4000 - 8000



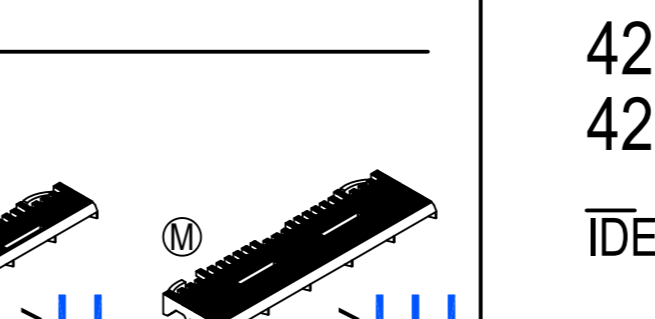
620440 IDEAL 2000 620441 IDEAL 2000



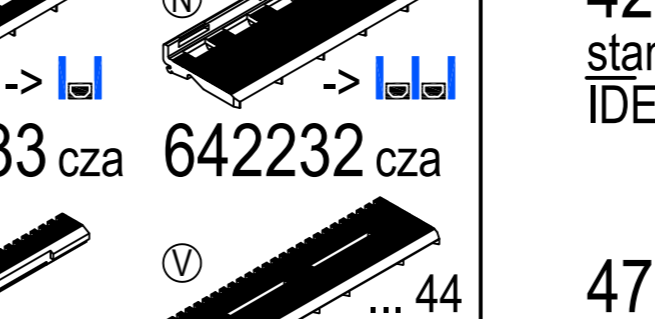
620441 IDEAL 4000 - 8000 624015 IDEAL 4000 - 8000



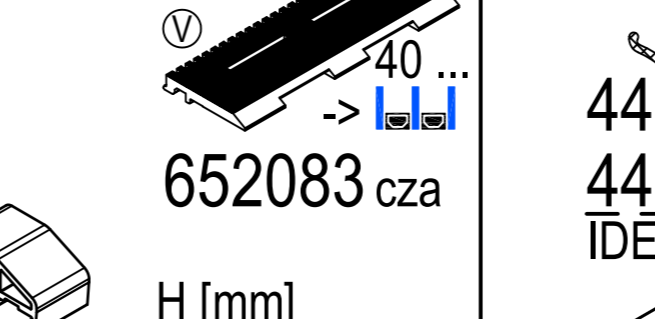
640015 IDEAL 4000 - 8000 640012 IDEAL 4000 - 8000



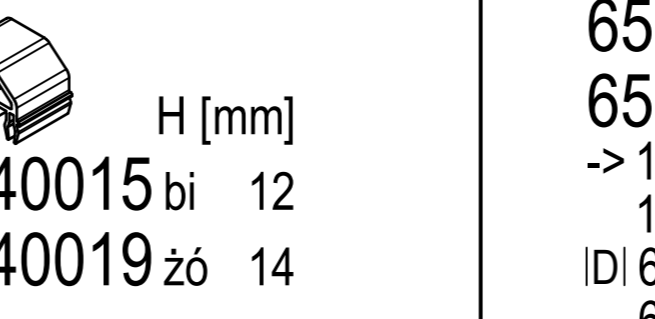
642262 cza IDEAL 4000 - 8000 642261 cza IDEAL 4000 - 8000 642263 cza IDEAL 4000 - 8000



642230 cza IDEAL 4000 - 8000 642233 cza IDEAL 4000 - 8000 642232 cza IDEAL 4000 - 8000



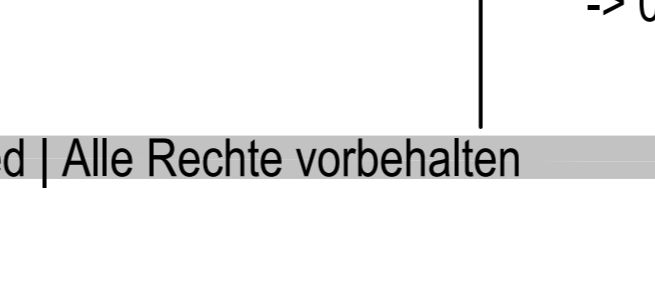
652080 cza IDEAL 4000 - 8000 652081 cza IDEAL 4000 - 8000 652082 cza IDEAL 4000 - 8000



640033 cze IDEAL 4000 - 8000 640034 zó IDEAL 4000 - 8000 640035 zie IDEAL 4000 - 8000

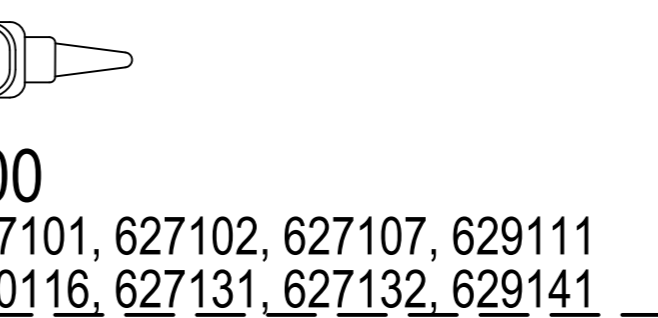


640012 bi IDEAL 4000 - 8000 640013 cze IDEAL 4000 - 8000 640113 cze IDEAL 4000 - 8000

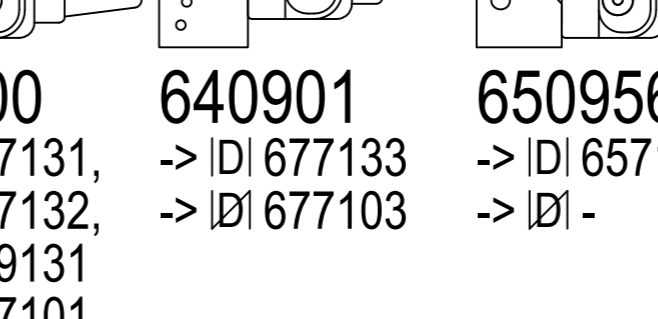


640015 bi IDEAL 4000 - 8000 640019 zó IDEAL 4000 - 8000 640113 cze IDEAL 4000 - 8000

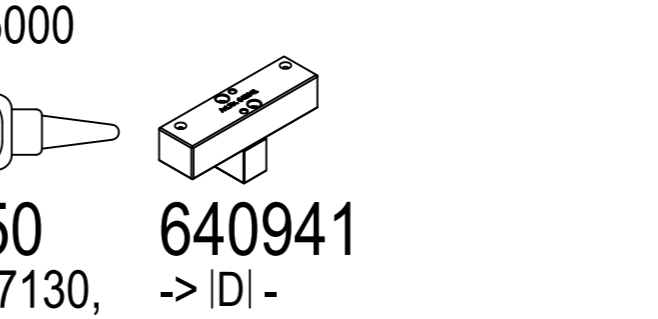
I) patrz plan: wzmacnienie IDEAL 2000 / 4000



620125 IDEAL 4000 620126 IDEAL 4000



640032 IDEAL 4000 - 8000 640038 IDEAL 4000 - 8000



640031 IDEAL 4000 - 8000 640033 IDEAL 4000 - 80